

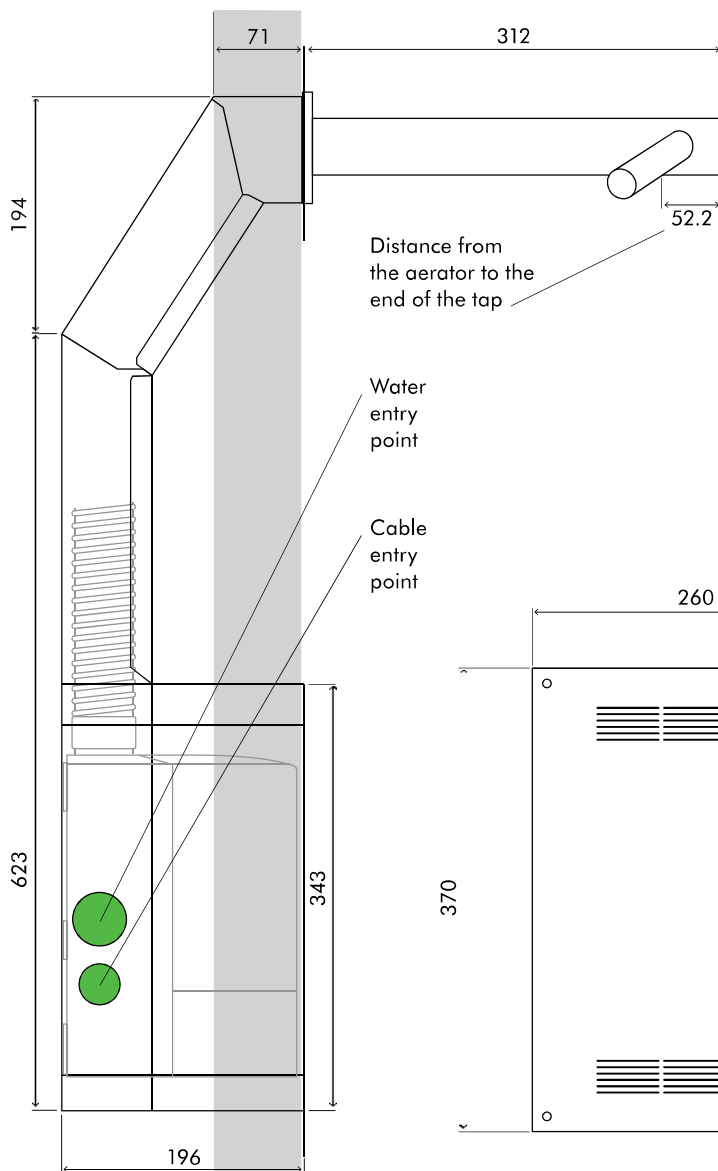
dyson airblade tap

TECHNICAL SPECIFICATION

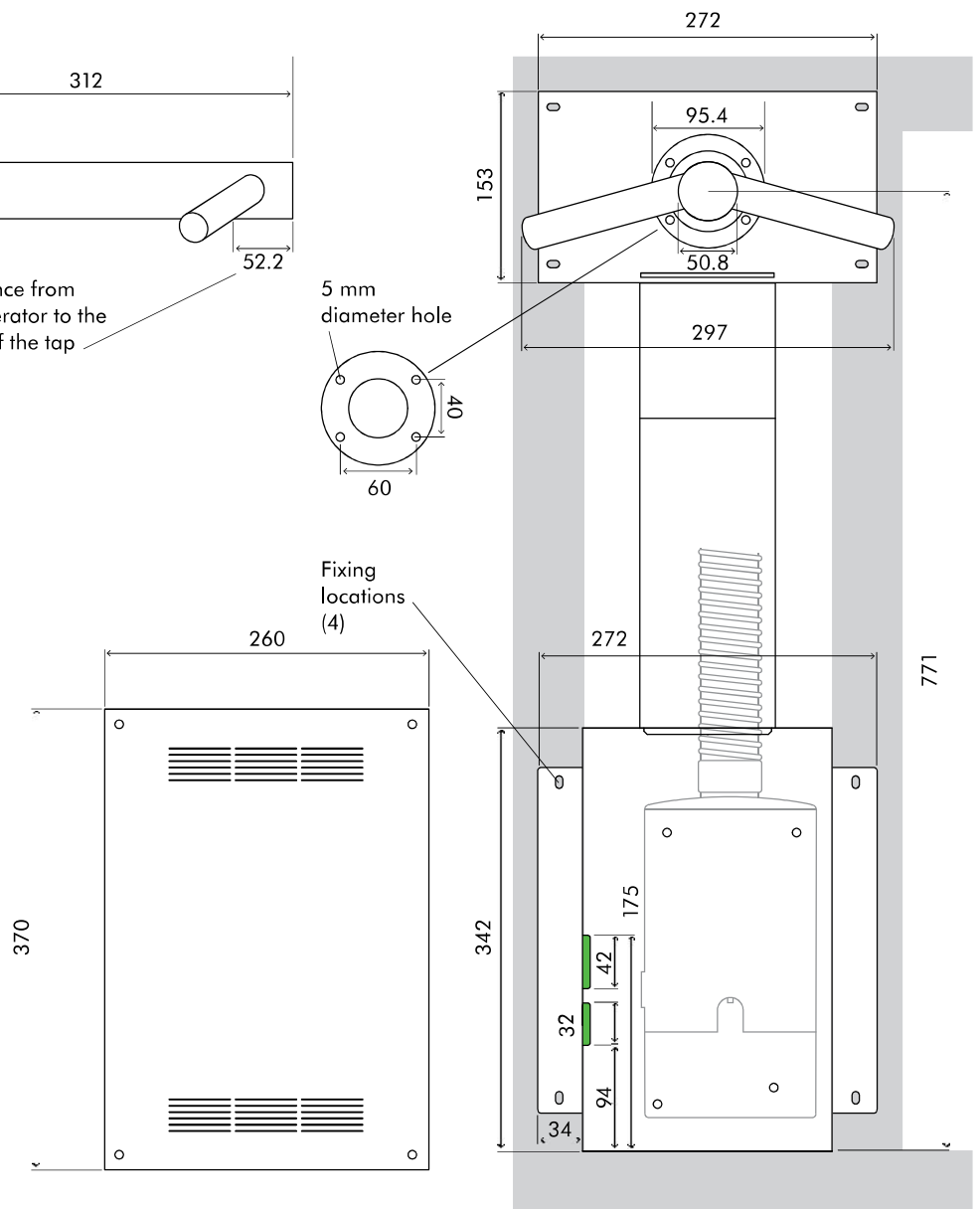
AB AB AB
09 10 11



SIDE ELEVATION



FRONT ELEVATION



FLOOR

Tap dimensions

AB11 Length 312 mm Width 297 mm

Motor bucket dimensions

AB11 Height 266 mm Width 142 mm Depth 189 mm

AB11 installation

The Dyson Airblade Tap hand dryer is designed so that the motor unit is located behind the stud wall within a metal enclosure which is supplied with the Dyson Airblade Tap hand dryer (Fig.1). The vertical wall studs must be constructed so as to allow the metal enclosure to be fitted between them (Fig.2). One of the horizontal wall studs must be fitted

a) so it holds the main weight of the metal duct and the unit, and b) so it is in the correct position for the tap stem.

For complete instructions, please refer to the printed installation guide supplied with the machine. It's also available online at [\[URL\]](#)

Fig.1



Fig.2

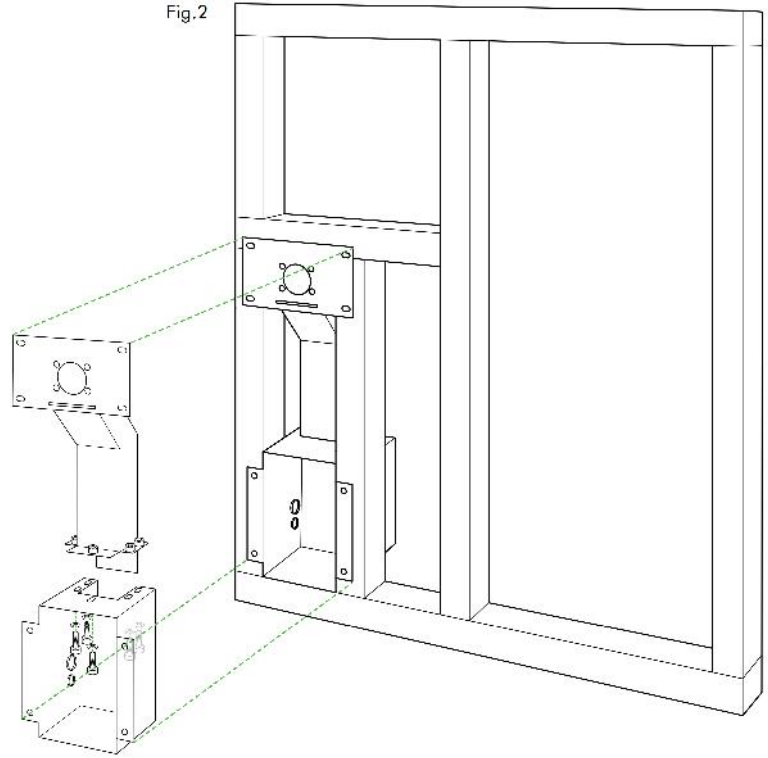


Fig.3

Install plasterboard.

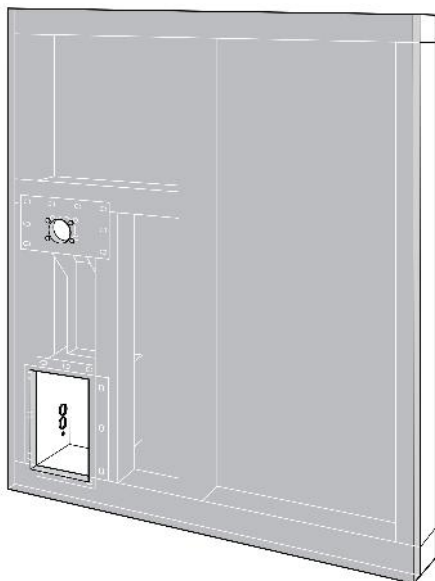
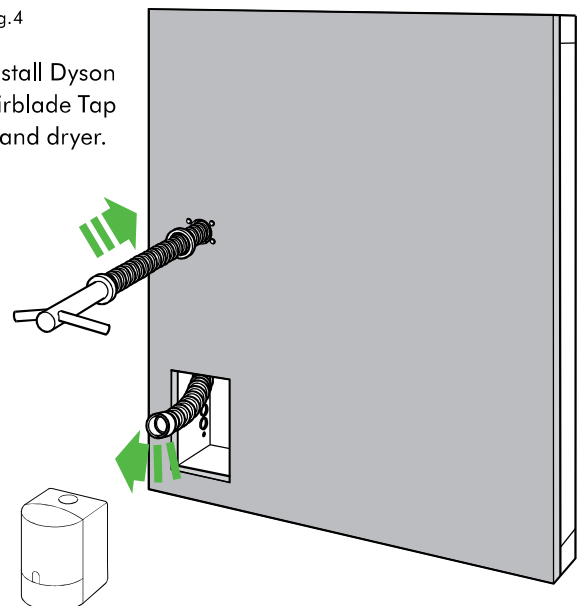


Fig.4

Install Dyson Airblade Tap Hand dryer.





Electrical

Input voltage/Frequency: 200-253V 50 & 60 Hz

Rated power: 1600 W

Motor type: Dyson digital motor V4 – brushless DC Motor

Motor switching rate: 6,000 per second

Motor speed: 90,000 rpm

Operating temperature range: 0 – 40°C

Heater type: None

Standby power consumption: Less than 0.5 W

Construction

Tap construction: Stainless steel (brushed)

Under counter motor assembly construction: Moulded ABS (main unit)

Exterior screw type: Torx T15

Water ingress protection to IP35

Filter

HEPA filter (glass fibre and fleece prelayer)

Bacteria removal 99.9%

Operation

Touch-free infra-red activation

Hand dry time measurement: 12 seconds (Measurement based on National Sanitation Foundation Protocol P.335)

Operation lock-out period: 30 seconds

Airspeed at apertures: 430 mph

Operating airflow: Up to 29 l/s

Maximum altitude: 2,000 metres

Water operation

Water flow rate: 4 l/min normal fitted aerator.

1.9 l/min with low flow aerator supplied with product.

Tap power supply: Mains supply

Water temperature control: Thermostatic mixer recommended (not supplied)

Water pressure required: 1-8 bar

Logistics

Serial number prefix: AB09 EC1; AB10 EC2; AB11 EC3

Single unit order code: AB09 25818-01; AB10 25819-01; AB11 25820-01

Net weight: AB09 4.3 kg; AB10 4.6 kg; AB11 9.0 kg

Packaged weight: AB09 5.7 kg; AB10 6.1 kg; AB11 11.4 kg

Packaged dimensions: AB09 H303 × W284 × D286 mm

AB10 H276 × W437 × D280 mm; AB11 H302 × W610 × D375 mm

Unit barcode: AB09 5025 1550 1577 3;

AB10 5025 1550 1578 0; AB11 5025 1550 1579 7

Sink specification

The Dyson Airblade Tap hand dryer is compatible with most sink types. Ensure plugs are not installed in the sinks and avoid inserts with embedded plugs (e.g. ones that swivel or elevate).

Using a specially designed test method, Dyson engineers evaluated the user experience of a wide range of sink types when used with the Dyson Airblade Tap hand dryer. For further details on our recommended sinks, please see the guide on our website [\[URL\]](#)

We recommend avoiding sinks with the following geometric characteristics; Flat bases immediately surrounding the drain hole. (nominally within a 60 mm radius).

Sloping back and front wall transitions in relation to the base of the sink. See pre-installation guide for further details.

Sink dimensions: All sink measurements are internal unless stated otherwise. Minimum width of sink: 350 mm, Front to back – Minimum: 300 mm Minimum depth of sink: 100 mm Maximum depth of sink for AB10 only: 200 mm (External measurement of vessel sink)

Sink materials: Sinks with highly polished surfaces should be avoided, e.g. reflective chrome. Porcelain or brushed metal is ideal. When multiple taps are installed side-by-side, tap centres should be a minimum of 580 mm apart.

Standard guarantee

5 year guarantee



Product range

AB09 Short

AB10 Long

AB11 Wall

